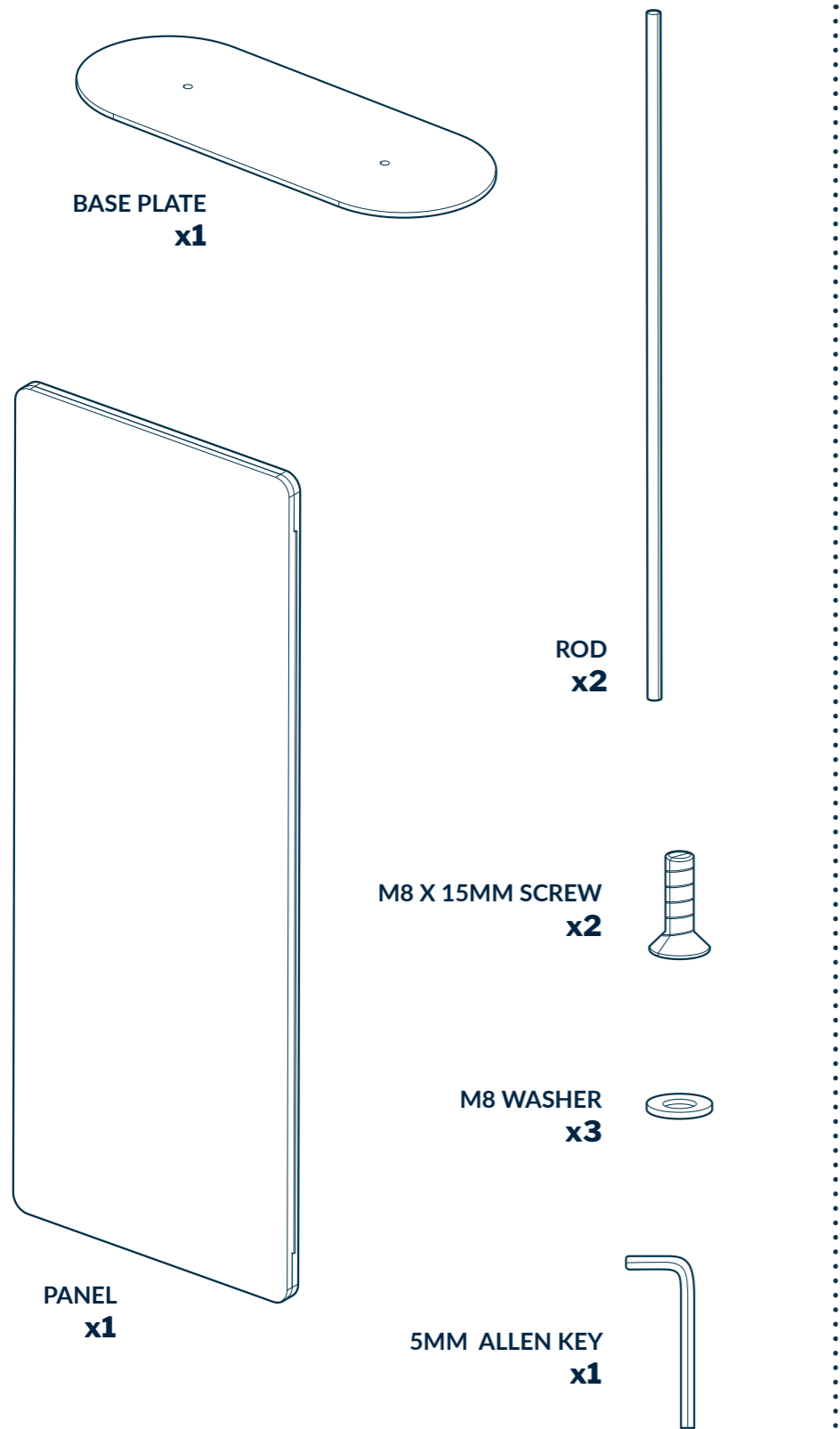
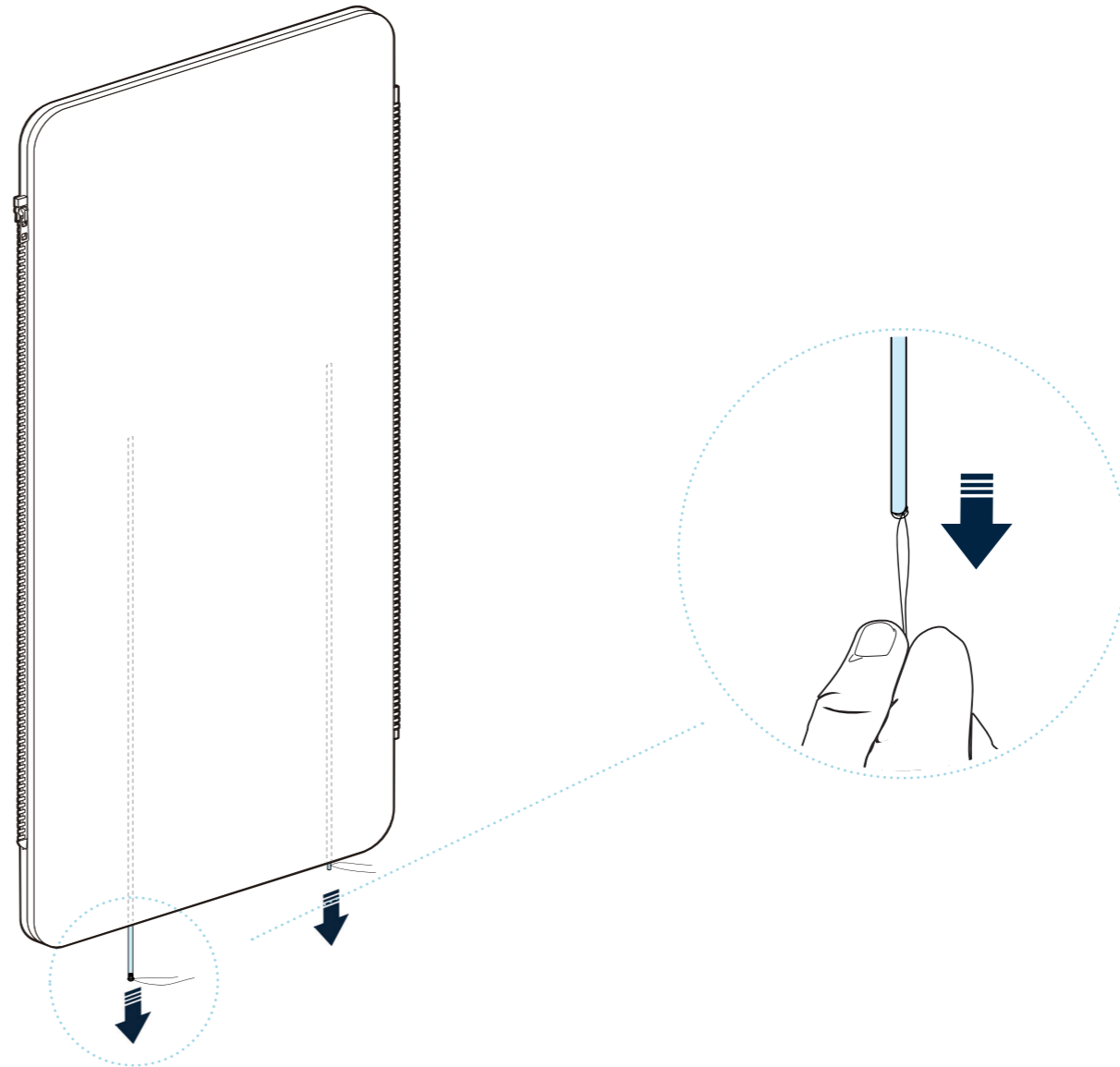


Privacy Screen Expansion Panel

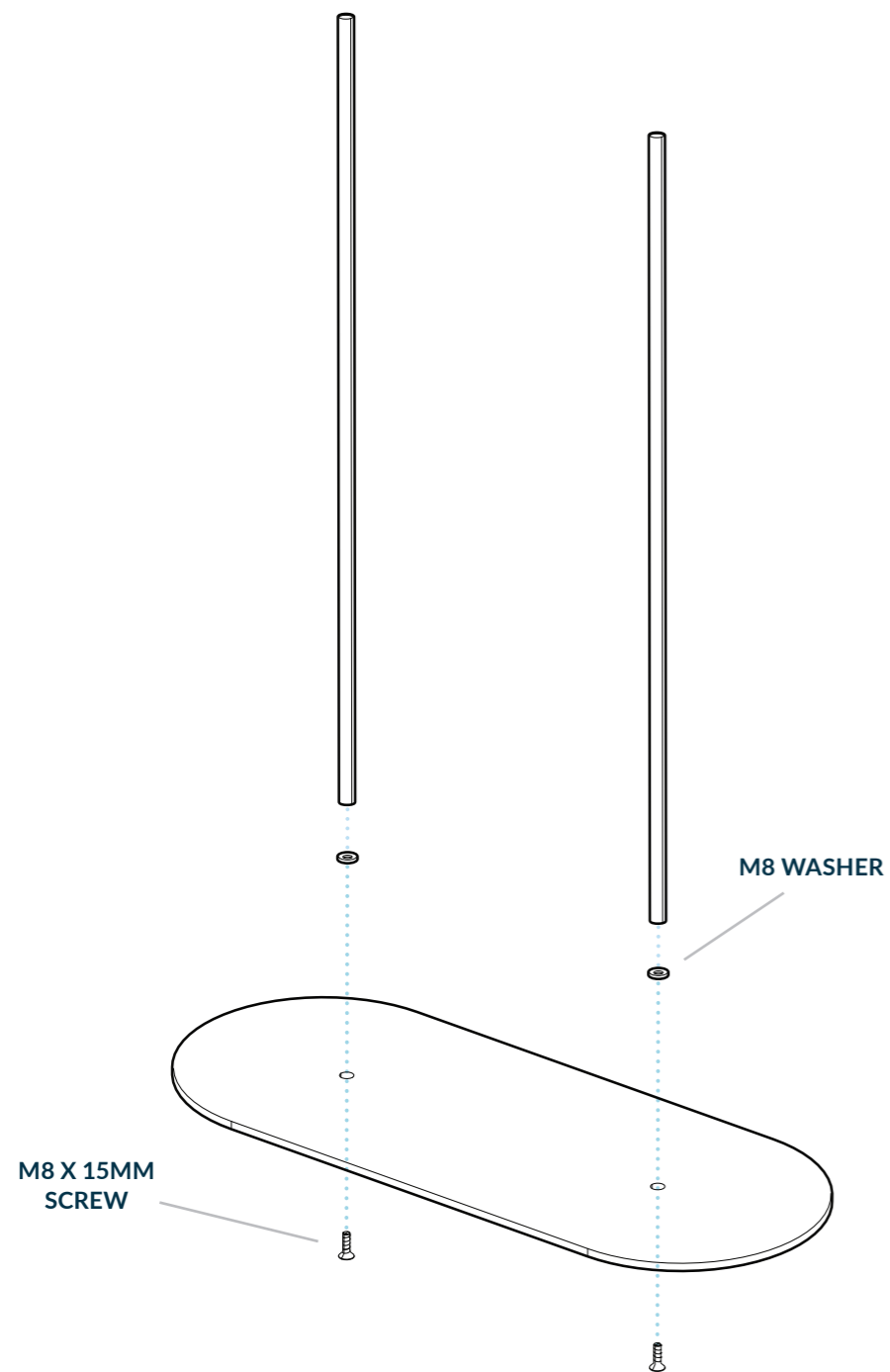


1

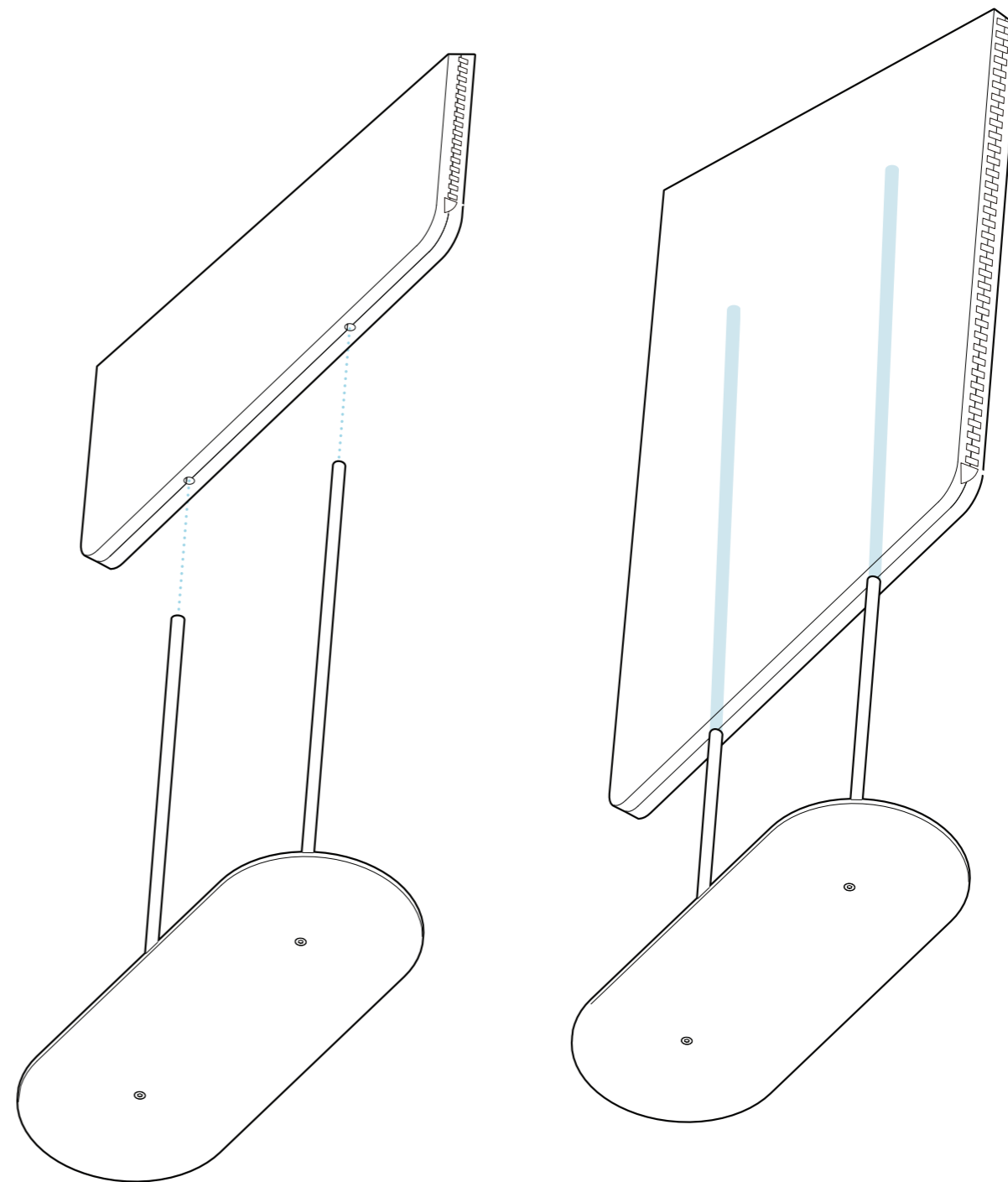


The **RODS** will come pre-inserted into the **PANEL**. Remove each **ROD** by pulling on the string, and then remove the string prior to assembly.

2



3

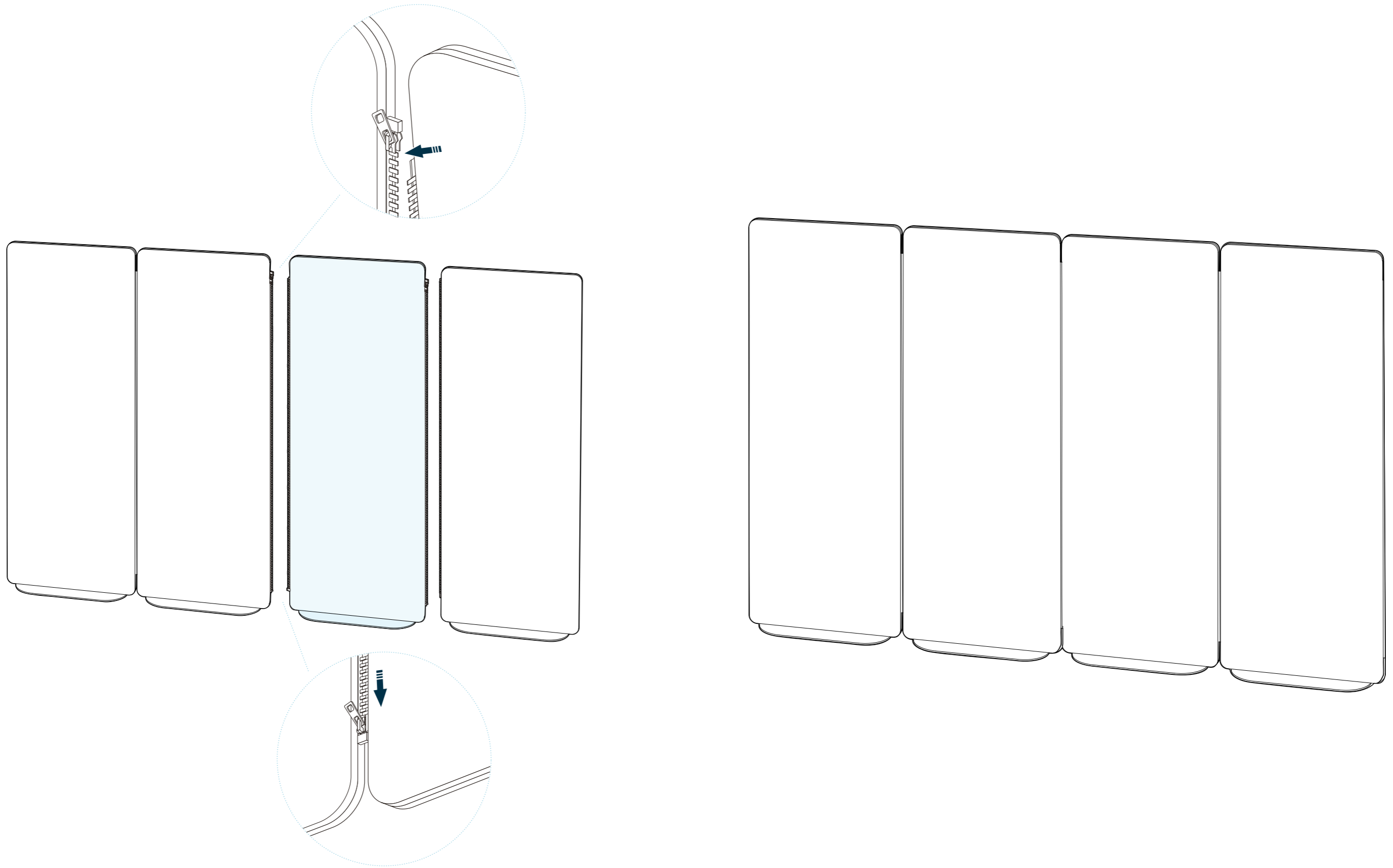


NOTE: The screws come pre-threaded into the rods. Remove these with the included allen key prior to assembly.

Insert the **M8 X 15MM SCREWS** through the **BASE PLATE**, thread the **M8 WASHER** on and screw into the metal **RODS**. Use the included **5MM ALLEN KEY** to tighten the screws.

Align the holes in the bottom of the **PANEL** and slide the **RODS** in until the panel touches the **BASE PLATE**.

4



The Privacy Screen Expansion Panel can be combined with an existing Privacy Screen to create an extended panel system, or used as a freestanding panel. If you are assembling it as a panel system, align the zipper ends and zip down to connect the panels. Attach the end **PANEL** to complete the setup.

NOTE: We recommend using a maximum of (4) PANELS in a straight line configuration to ensure stability. If more than (4) PANELS are used, set up the combined Privacy Screen in a curved or zig-zag configuration.