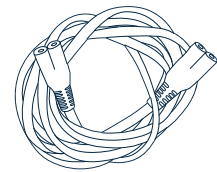
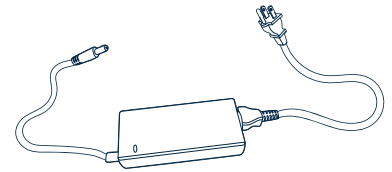
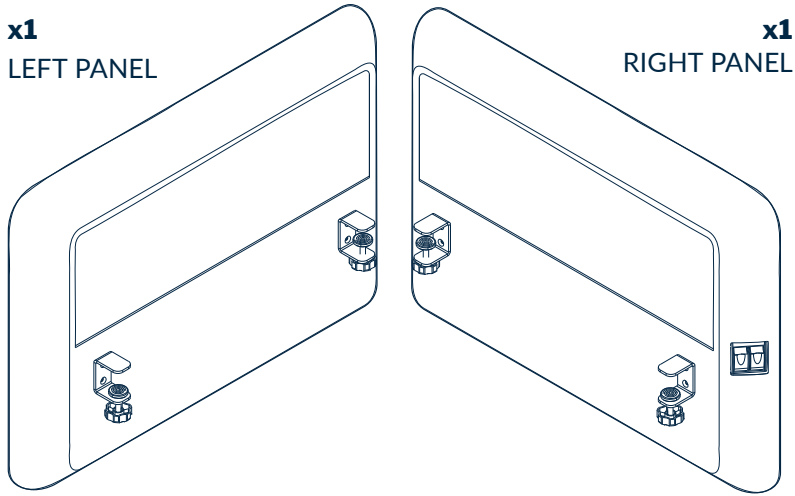


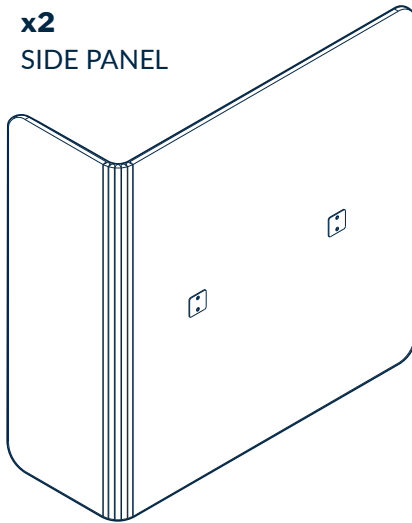
2 People  
Recommended

# Components

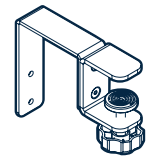
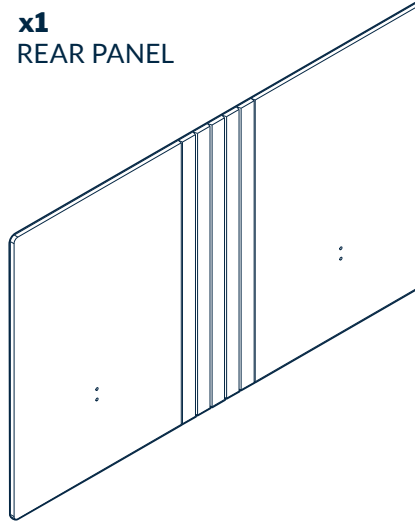
## Box 1 of 3



## Box 2 of 3



## Box 3 of 3



**x2**  
CLAMP



**x4**  
M5 X 10MM SCREW

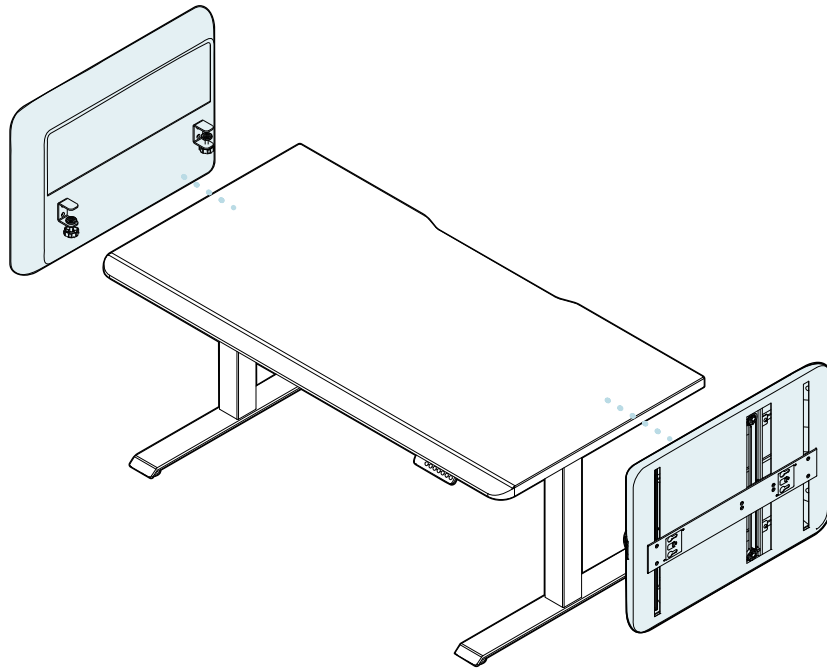


**x2**  
CLAMP PLATE

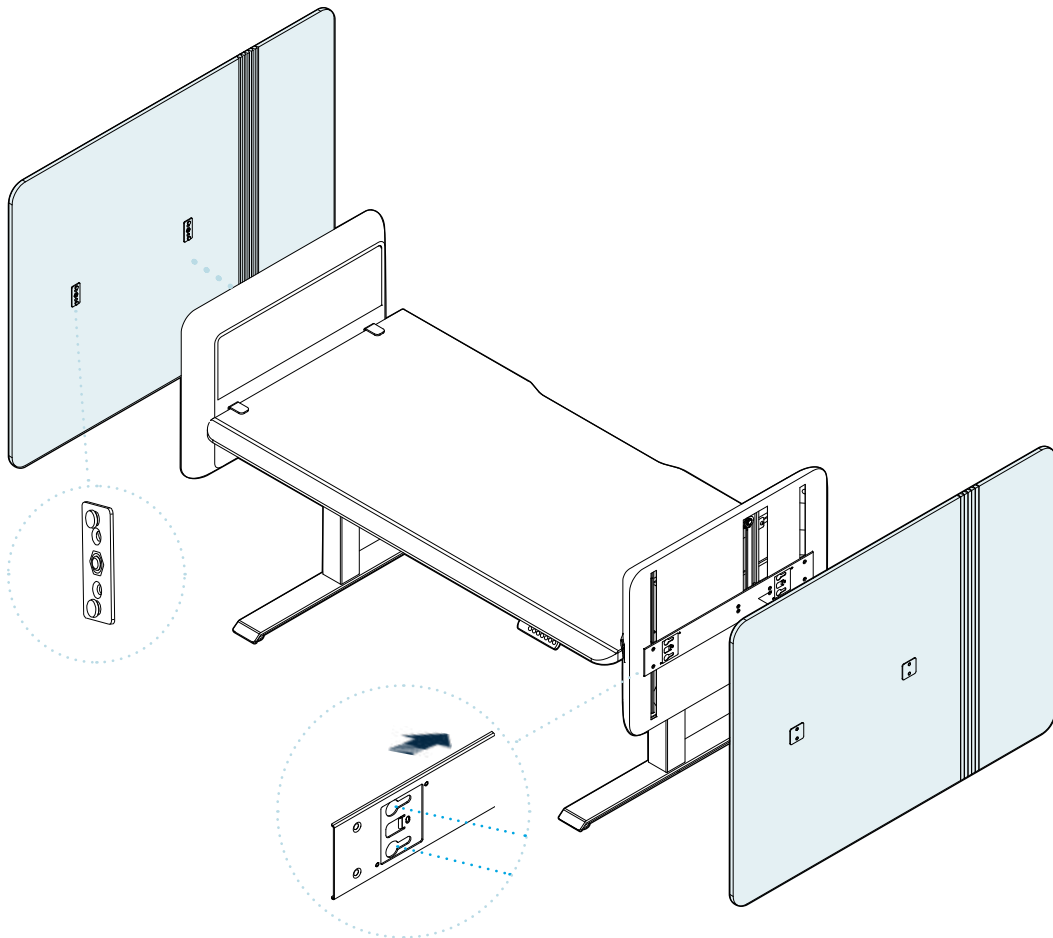
## Tools Needed (Not Included)

- PHILLIPS SCREWDRIVER

**NOTE:** The VariFocus™ is designed to work with Vari Electric Standing Desks 48x30, 60x30, and 72x30. If installing on a non-Vari product, ensure that the desk surface is at least 48" wide, 20" deep, and no thicker than 1 ½".

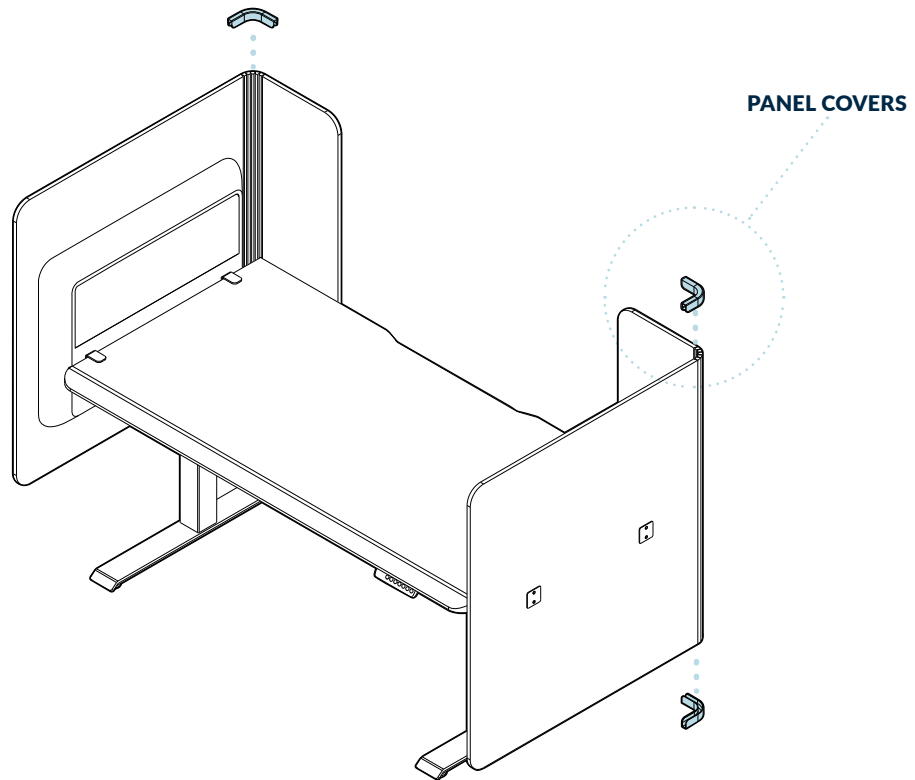
**1**

Turn the knobs on the clamps of the **LEFT** and **RIGHT PANELS** to widen each bracket to match the thickness of the desk surface (Between 1"-1½" maximum thickness). Slide the clamps onto the edge of the desk surface and turn the knobs to secure both **PANELS** to the desk.

**2**

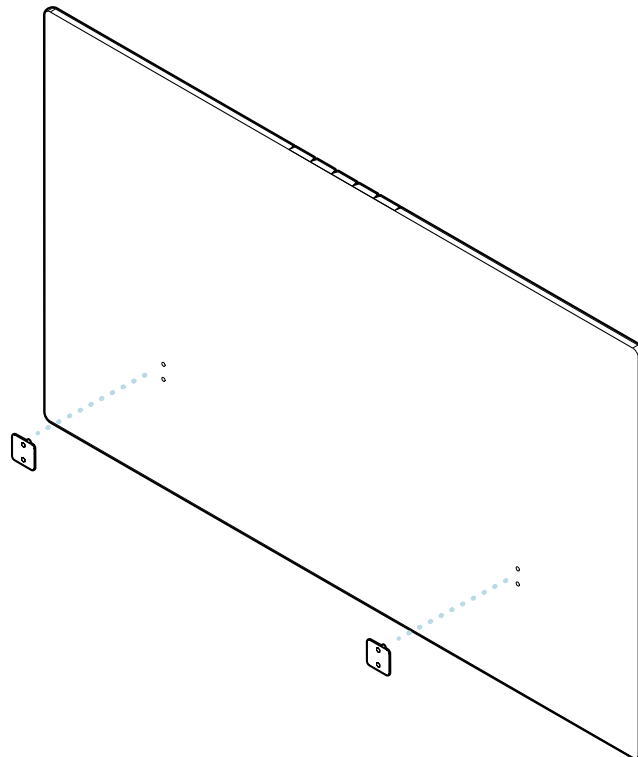
Locate the center brackets of the **LEFT** and **RIGHT PANELS**. Insert the notches of the **SIDE PANEL** brackets into the slots of the center brackets, and slide to the right until they "CLICK" into place.

3



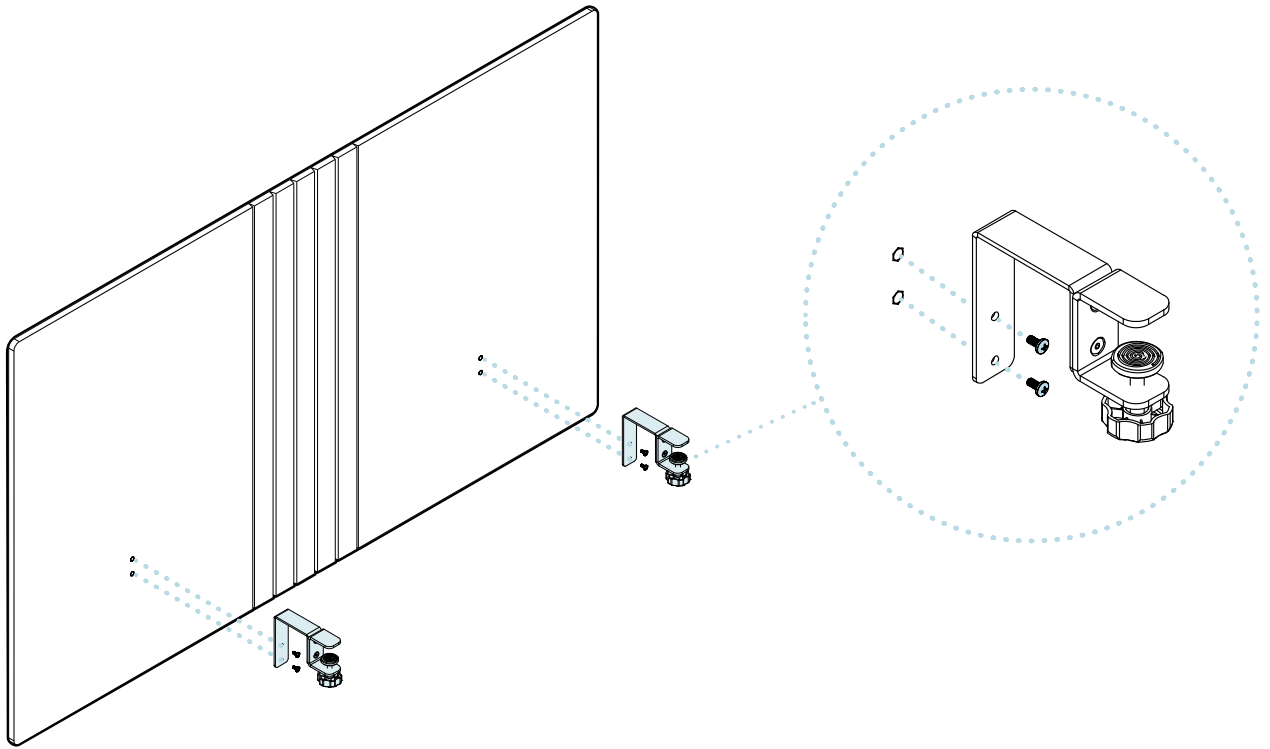
Carefully bend the corner of each **SIDE PANEL** to 90 degrees. Slide a **PANEL COVER** onto the upper and lower bends of each **SIDE PANEL** to secure them in place.

4



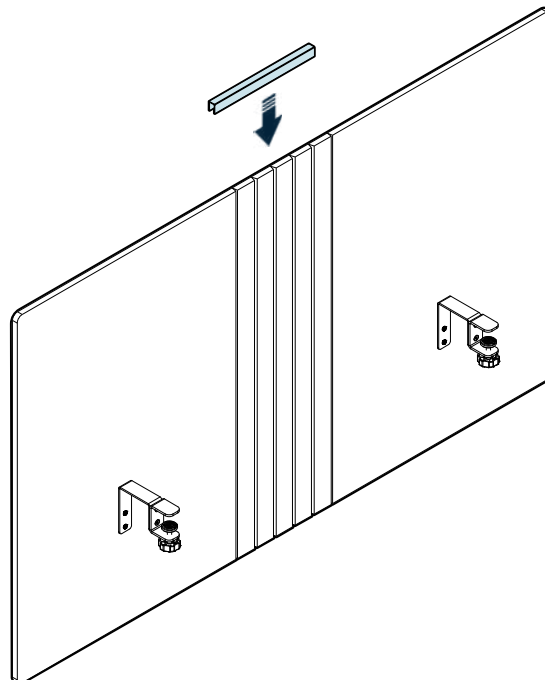
Push the protruding edges of each **CLAMP PLATE** into the holes on one side of the **REAR PANEL**.

5



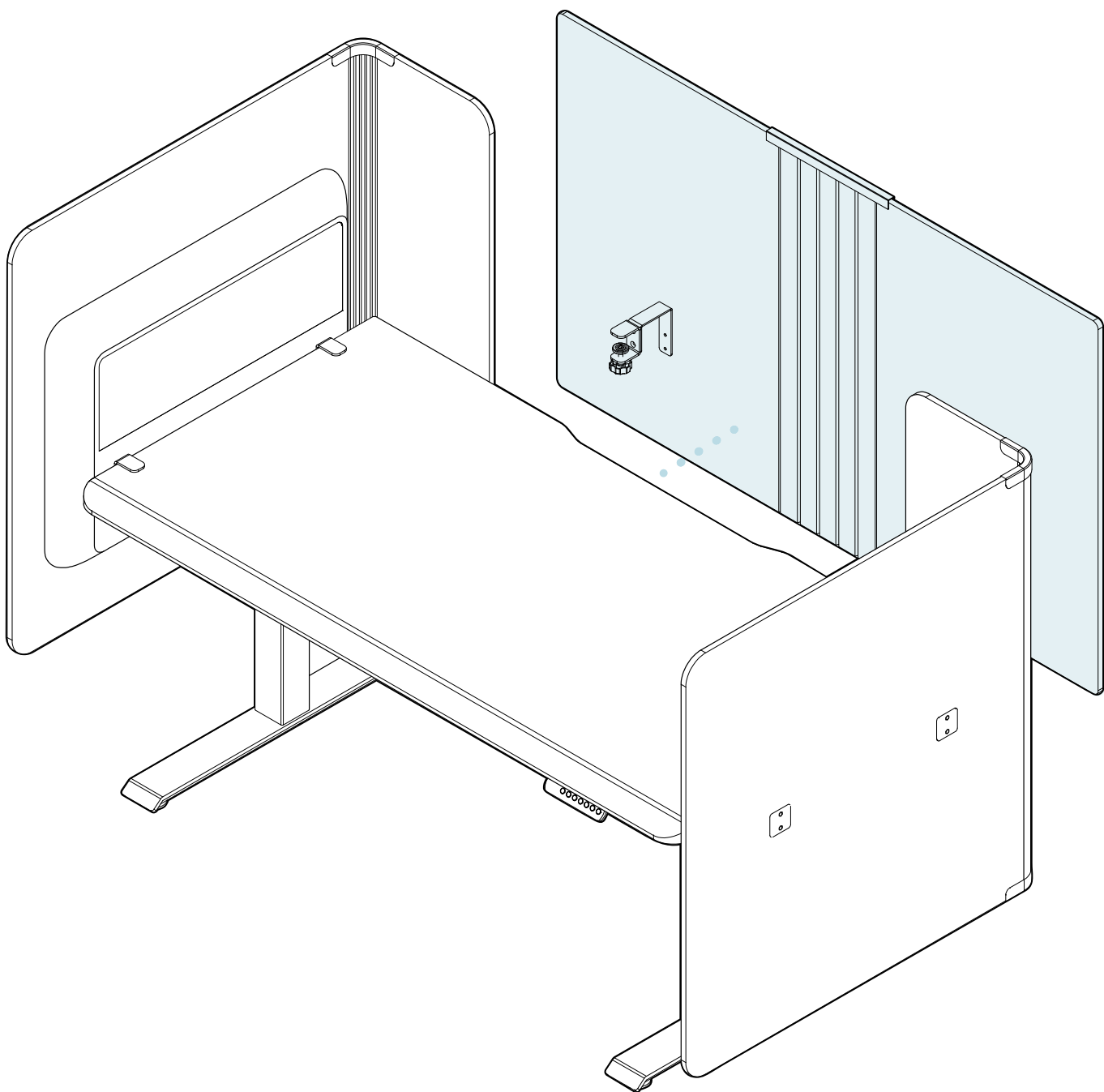
On the other side, align the two holes of one **CLAMP** and insert **(2) M5 X 10MM SCREWS**. Use a Phillips head screwdriver (not included) to tighten. Repeat this step for the other **CLAMP**.

6



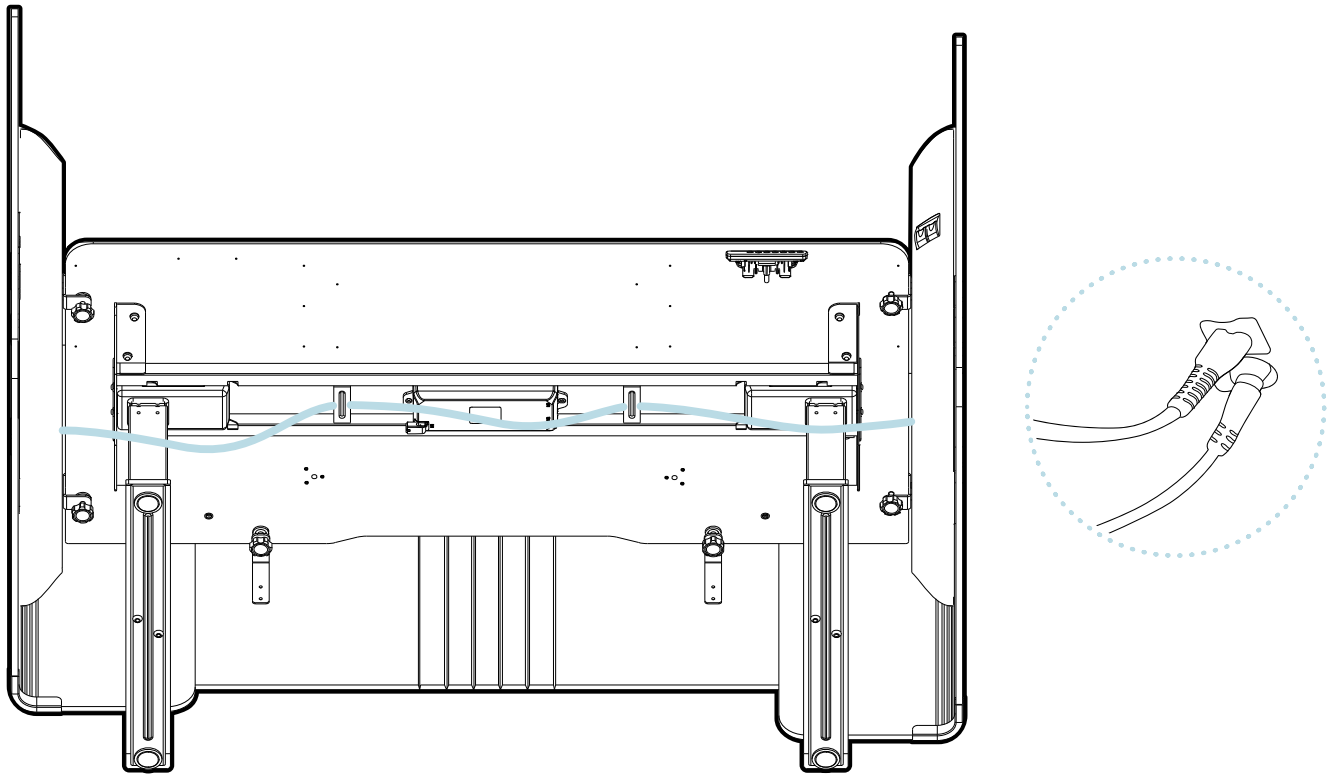
Slide the **REAR PANEL COVER** onto the center of the **REAR PANEL** to ensure it remains straight.

7



Turn the knobs on the clamps of the **REAR PANEL** to widen each bracket to match the thickness of the desk surface (between 1"-1½" maximum thickness). Slide the clamps onto the edge of the desk surface and turn the knobs to secure **REAR PANEL** to the desk.

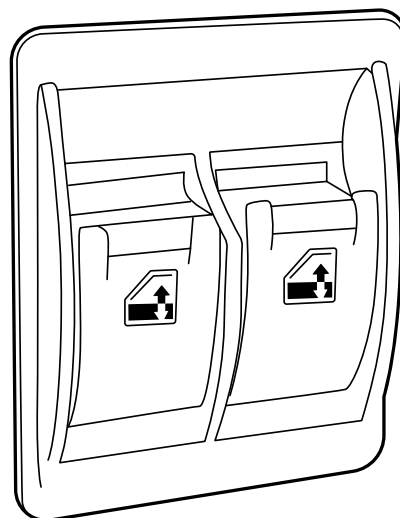
8



Run cords along the underside of the desk and connect to each of the **SIDE PANELS**. Plug the **POWER ADAPTER** into a standard wall or ground outlet.

To raise the **SIDE PANELS**,  
pull one or both switches back.

To lower the **SIDE PANELS**,  
push one or both switches forward.





**WARNING:** Do not open any components; there is a danger of electric shock.



**WARNING:** Risk of finger injury—pinching hazard. Use caution when raising and lowering the side panels.



**WARNING:** Make sure no obstacles are in the path of the panels.



**WARNING:** Never operate this product if it has a damaged cord or plug, if it is not working properly, if it has been dropped or damaged, or dropped into water. Contact our customer service department during business hours to report any issues. Our customer service team will provide a replacement if necessary.



**WARNING:** Keep plug away from heated surfaces.



**WARNING:** To reduce risk of fire, electric shock, or personal injury, use only indoors and do not install in a wet or damp location.



**WARNING:** The VariFocus™ is not intended for use by young children or for those persons who require superviso



**CAUTION:** Beverages such as water or coffee could cause product failure if spilled.

**Supplier's Declaration of Conformity  
47 CFR § 2.1077 Compliance Information**

**Unique Identifier(s):**

402645

**Responsible Party – U.S. Contact Information**

Varidesk, LLC  
450 Freeport Parkway  
Coppell, TX 75019  
1-800-207-2587.

**FCC Compliance Statement**

This device complies with Part 15 of the FCC Rules. Operation is subject to the following two conditions: (1) This device may not cause harmful interference, and (2) this device must accept any interference received, including interference that may cause undesired operation.



**(800) 207-2587**

**vari**®