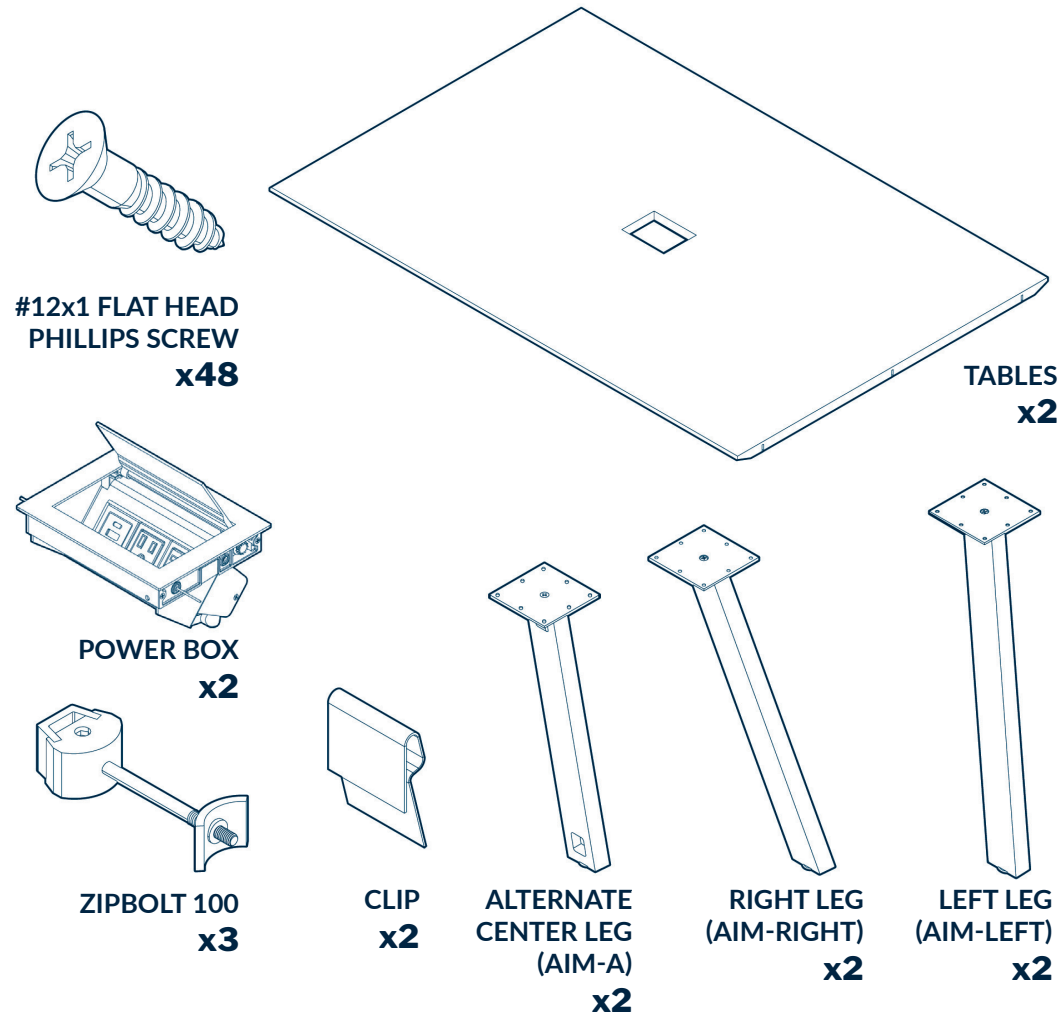


# Executive Conference Table 4'x10'

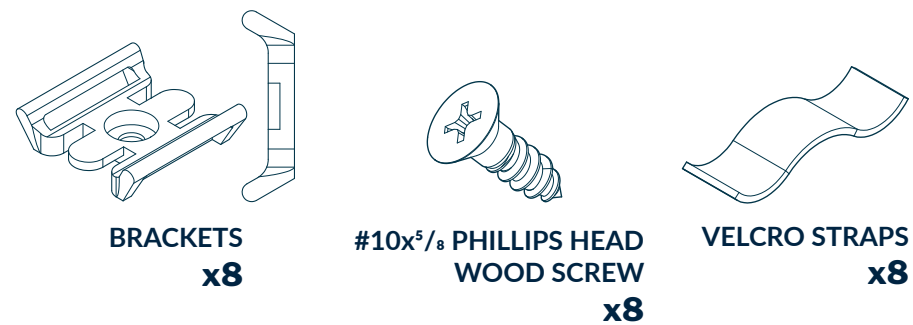


**vari**®

## INCLUDED PARTS FOR TABLE ASSEMBLY



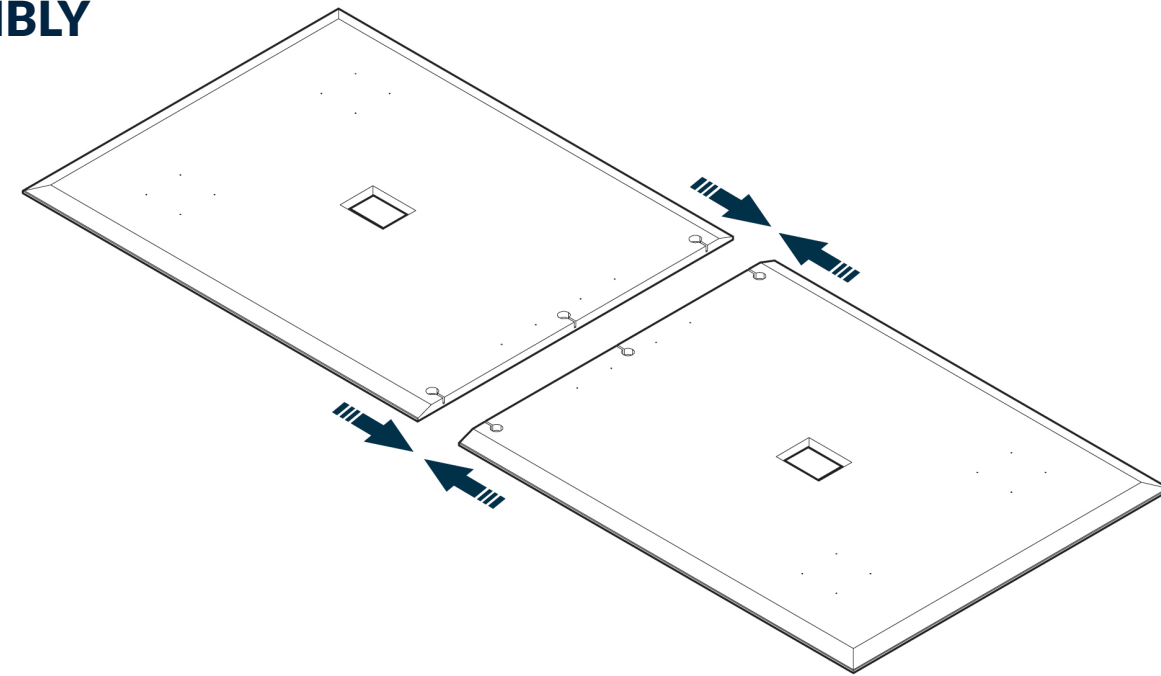
## INCLUDED PARTS FOR CABLE MANAGEMENT



## Tools Needed (Not Included)

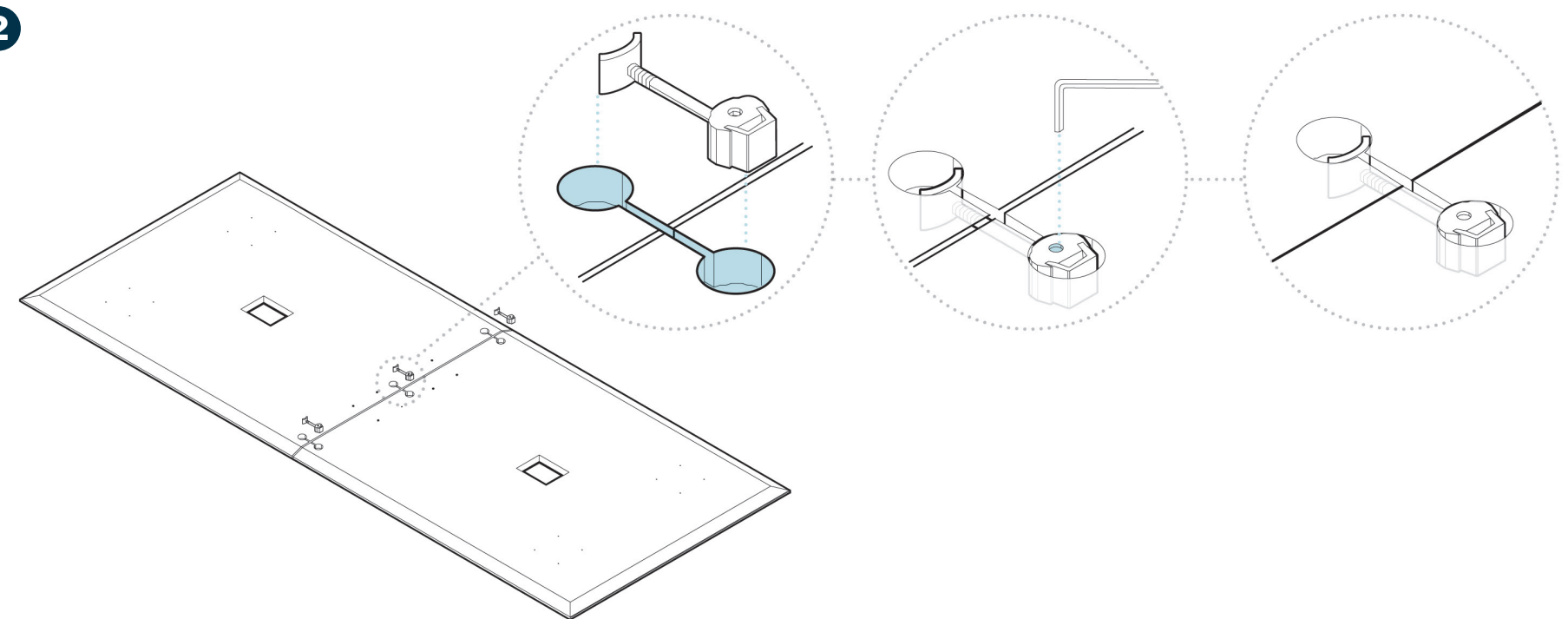
- #4 ALLEN WRENCH
- PHILLIPS SCREWDRIVER OR POWER DRILL WITH A PHILLIPS DRILLBIT

## 1 TABLE ASSEMBLY



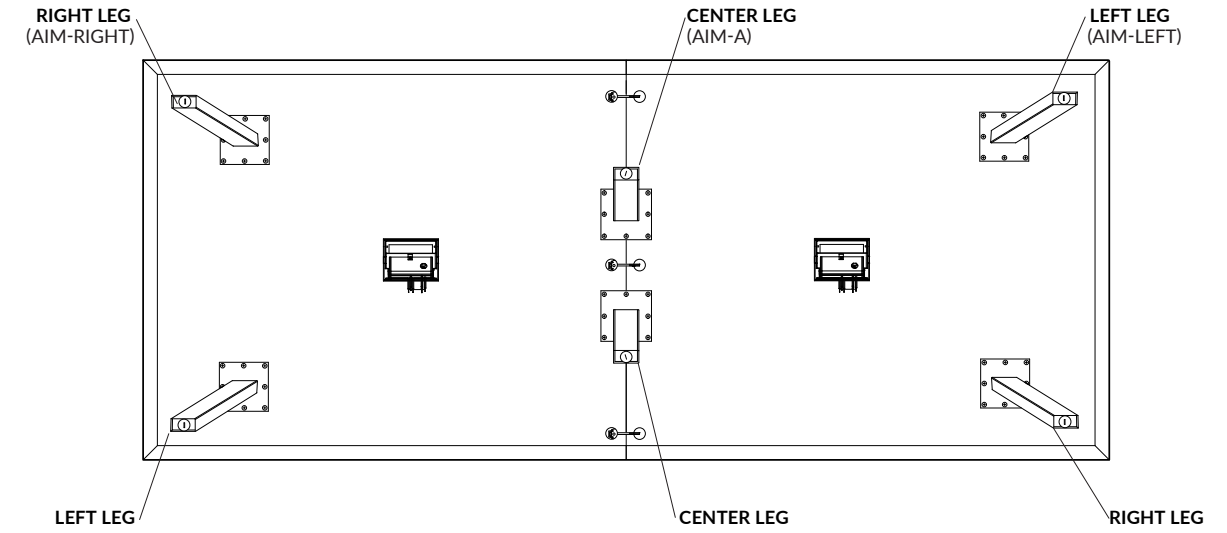
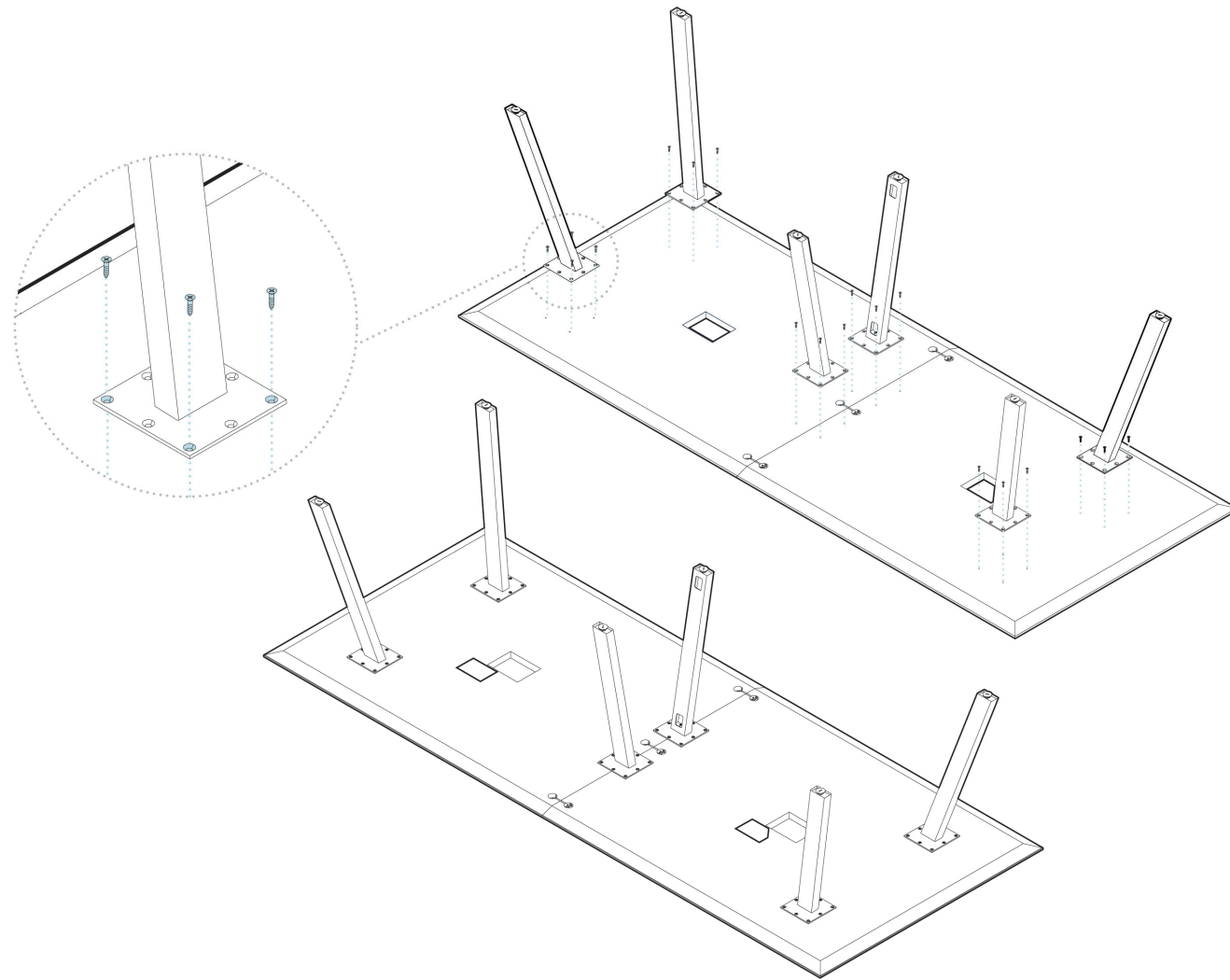
The table tops are face down when you open the box. Assemble the table tops adjacent, in both boxes, and as they are to avoid damaging the tabletop surface.

## 2



Insert a loosened zipbolt in the holes provided and using an Allen Key turn it clockwise to tighten the zipbolts little by little until they are all secured. **\*Note: Make sure that the tops are as level as possible when tightening the zipbolts to ensure they are flushed once fully assembled.**

3

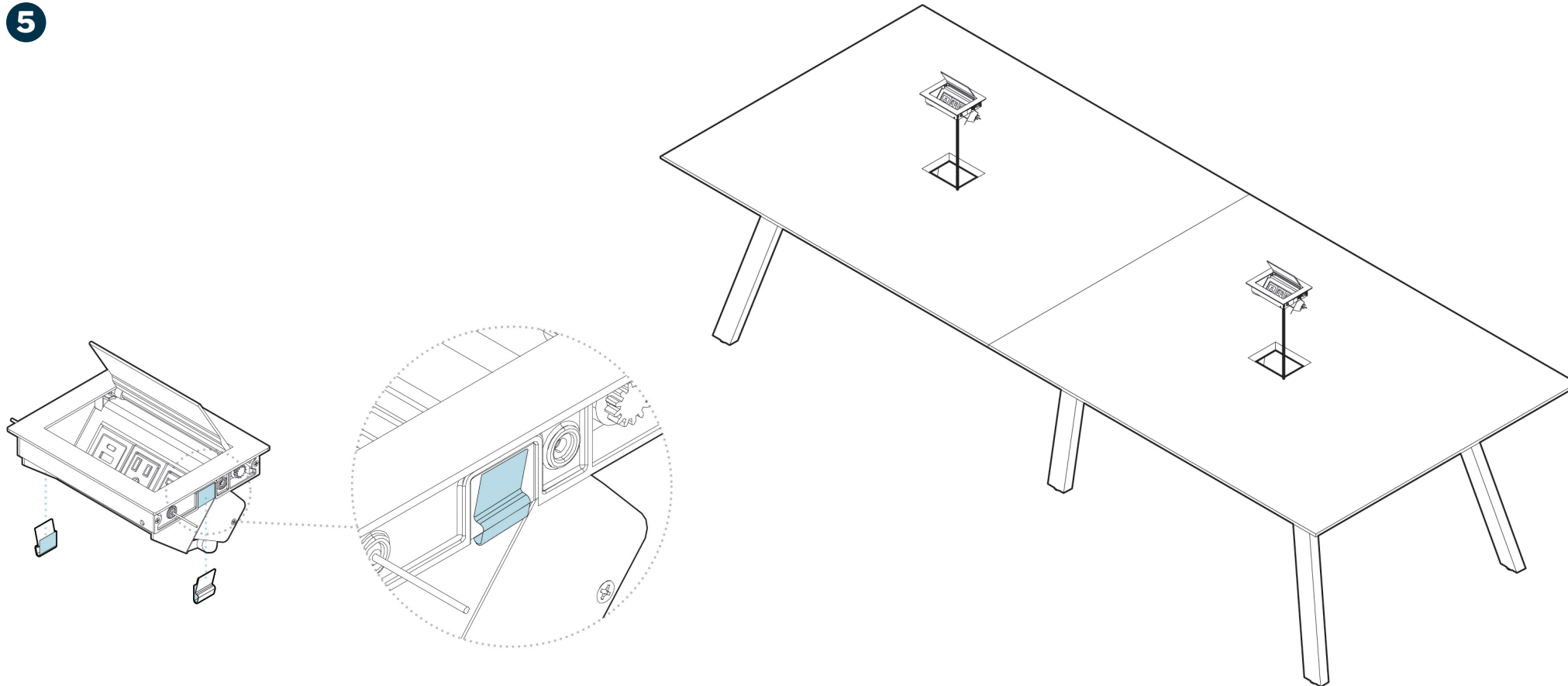


The left, right, and alternate legs are labeled on the plate of each leg. (Center legs are labeled "AIM-A" and both should have a cutout for cable management). Align the square plate at the top of each leg with the corresponding pre-drilled holes on the underside of the tabletop. Use the provided #12x1 Flat Head Phillips Screws and your power drill or Phillips Head screwdriver to secure them to the table, one by one. **\*Note: It is only necessary to screw in the corners of each leg plate. There will be extra screws upon completion of this table.**

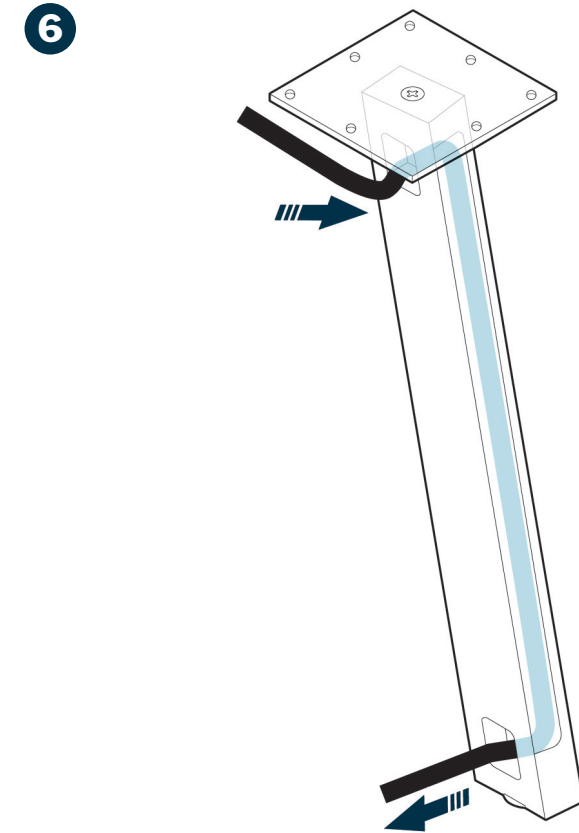
4



With four or more people, turn the table to its side to rest on its legs. Then, turn it again to its upright position. **\*Note: We suggest placing the table near the power outlet you intend to connect to before the next step.**

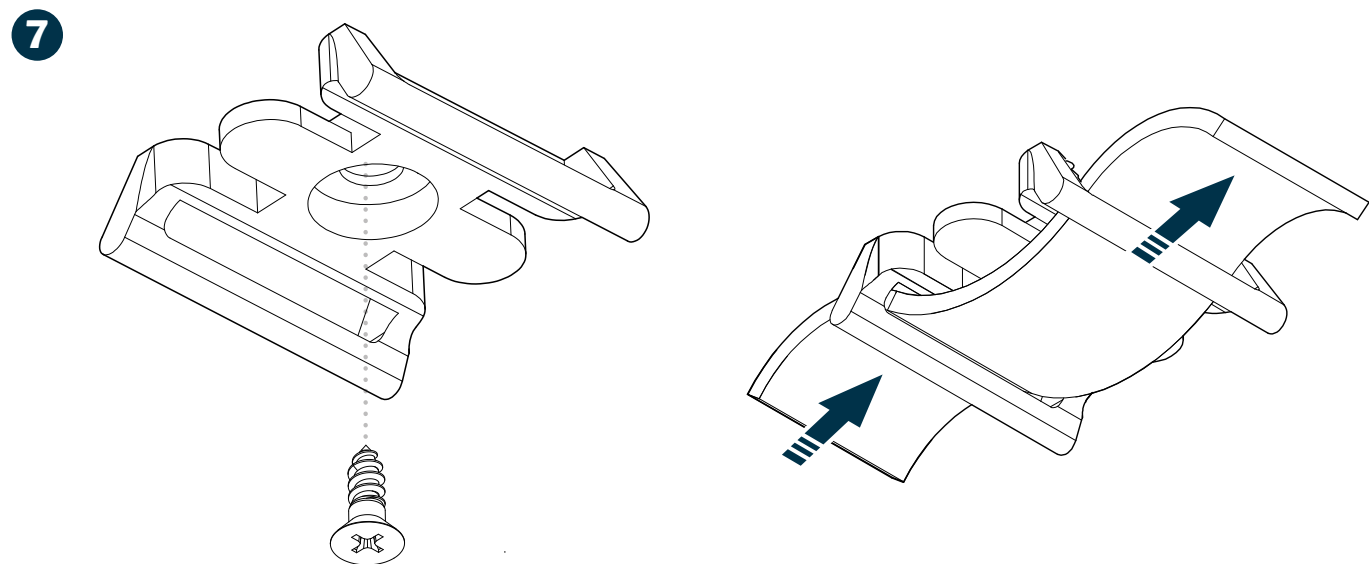


Slide the clips onto the right and left side of the power boxes and then place them into the center of the tabletop and press down to firmly secure them. The power unit is installed properly when it is flush with the tabletop surface. **\*Note: If the table tops are not flush, loosen and re-tighten the zipbolts as needed to ensure they are before you turn the table over.**



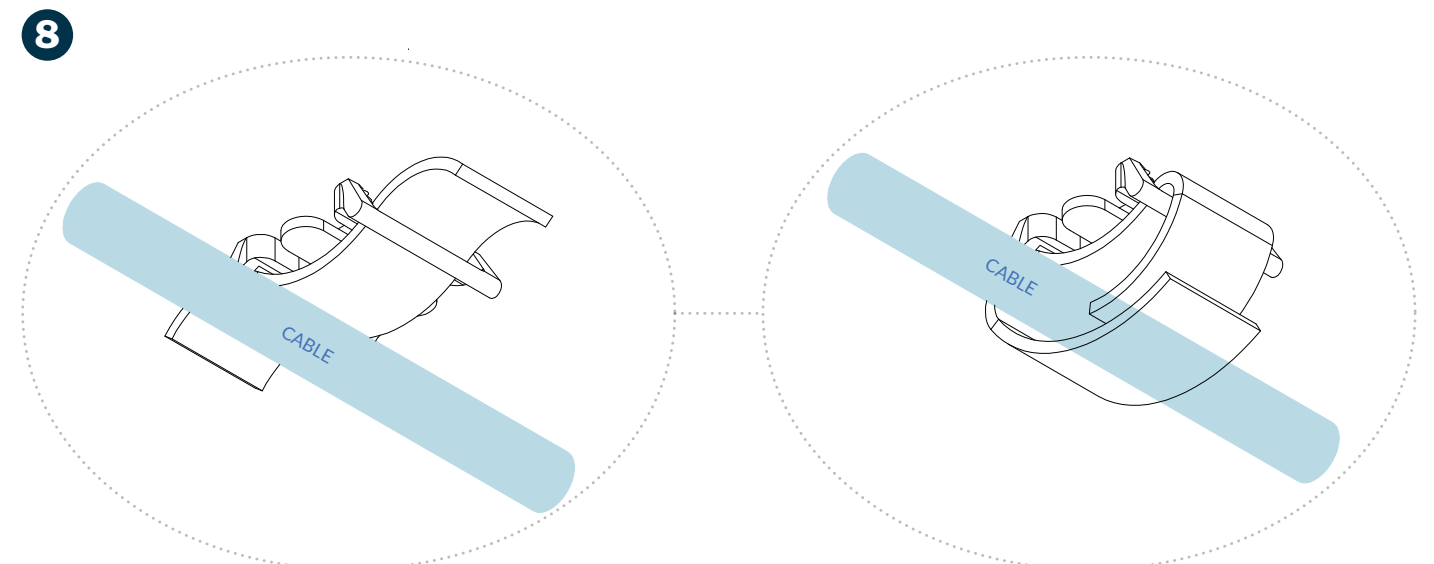
Unroll and relax the kinks in the power cord. Then, run it down the cable management slot provided in the proper alternate leg.

## INSTALLING CABLE MANAGEMENT




Screw the bracket into the underside of the table, in the path of the cable.

Push the velcro strap into the slots of the bracket.



Fasten the cables with the velcro straps.

 **WARNING:** To prevent injuries and product failure, do not use this table for standing, climbing, or leaning. Do not use if the table is damaged or incorrectly assembled.

 **(800) 207-2587**

Patent and trademark information: [vari.com/patents](http://vari.com/patents) ©2023 Varidesk, LLC All rights reserved.