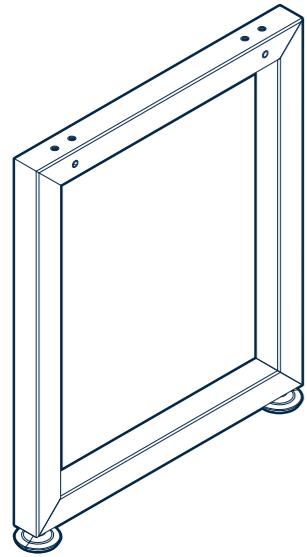


# Table Legs 24

vari®



SQUARE LEG  
x2

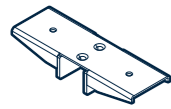


TABLE TOP BRACKET  
x4



HAND BOLT\*  
x8



M8x68MM SCREW  
x4



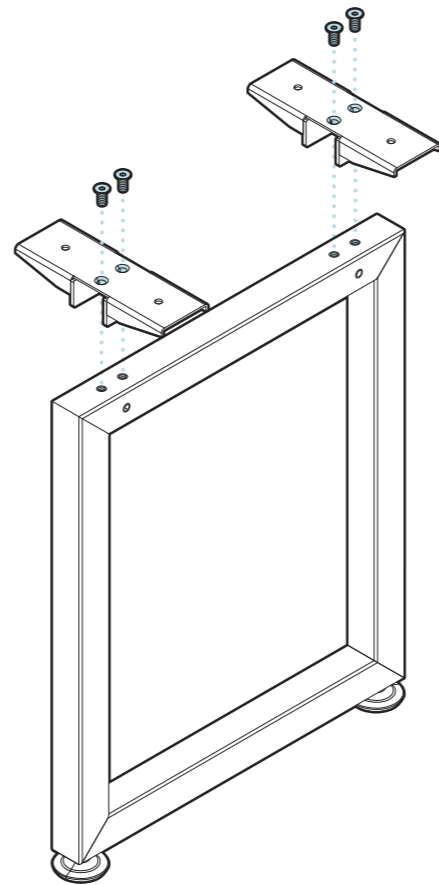
M8x16MM SCREW  
x8

4MM ALLEN KEY  
x1



**\*NOTE:** While the Hand Bolts ship with the Table Legs, they are used to attach the Legs to the Table, not to assemble the Legs.

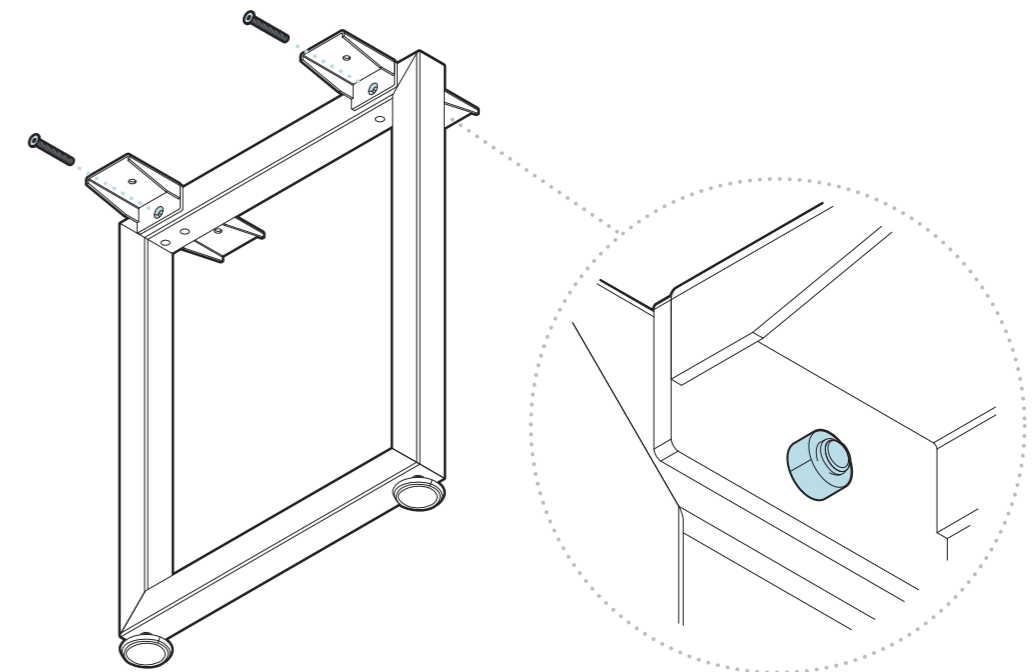
1



Align a table top bracket with the holes on top of the square leg, and attach the bracket using the provided Allen key and two M8x16MM screws.

Repeat with a second bracket on the other side of the leg.

2



Finish securing the brackets to the leg by inserting one M8x68mm screw into the opening on the underside of the bracket, through the leg, and through the welded nut on the other side of the bracket.

Use the provided Allen key to tighten it in place.

